


EZ-CFU™ ONE STEP is more convenient than any other product of its kind. These quantitative microorganism challenges are ready to process in a single step. Like our EZ-CFU™, EZ-CFU™ ONE STEP is guaranteed to deliver the desired 10 – 100 CFU per 0.1 mL of challenge material. Accurately maintain QA/QC records by using the convenient peel-off label on the kit's container.



EZ-CFU™ ONE STEP

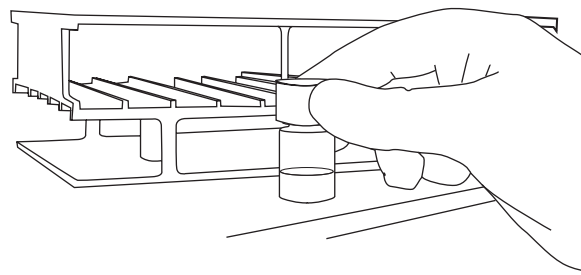
Illustrated Instructions
Pharmaceutical Challenges

1



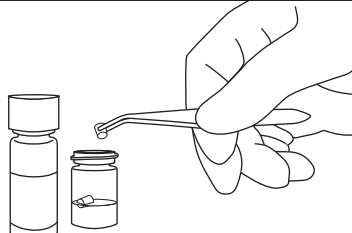
Allow unopened vial of lyophilized pellets to equilibrate to room temperature (22° – 25°C).

2



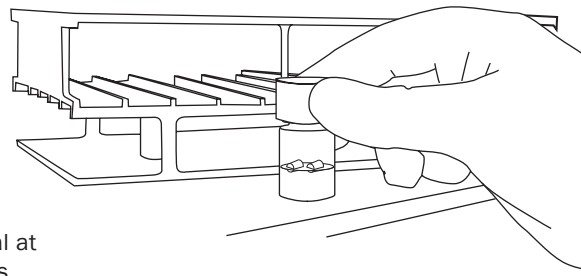
While the pellets are equilibrating, use an incubator to prewarm all fluids to 35° – 37° C (At least 30 minutes).

3




With sterile forceps, transfer two (2) pellets into 2mL of hydrating fluid provided (do not remove the desiccant from vial). **Immediately stopper and recap vial and return to 2° – 8° C.**

4



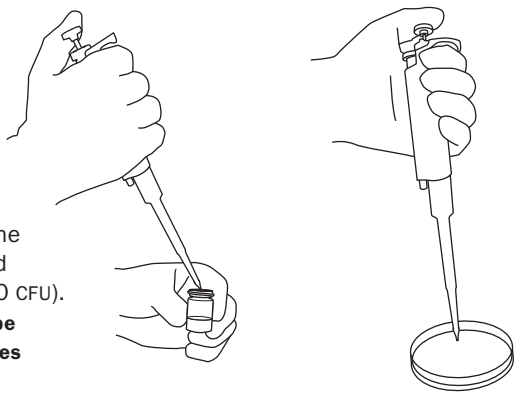
Incubate hydrated material at 35° – 37° C for 30 minutes.

5



Vortex hydrated material until a homogenous suspension is achieved. **Note: Charcoal particles may be visible in the hydrated suspension and will not compromise the challenge microorganism in a homogeneous suspension.**

6



With a sterile pipette, transfer 0.1mL of the hydrated suspension to the material being challenged (0.1 mL contains 10 – 100 CFU). **Note: All challenges must be completed within 30 minutes after incubation.**

7 Proceed with the challenge procedure according to laboratory protocol.